



3M™ PELTOR™ CH-3 FLX2 Headset

Product Description

The 3M™ PELTOR™ CH-3 FLX2 Headset will bring hearing protection and communication in noisy environments into a new level of performance with newly designed speakers and microphone. The newly designed dual mold cup give a modern and slim look together with bright yellow color for enhanced visibility or black color for situations when you need to be discreet and blend in with your surrounding.



MT74H52A-*

Key Features

- Newly designed headband
- Bright yellow colour for enhanced visibility
- Black color when you need to blend in
- Detachable down lead connector for high flexibility
- Improved speaker efficiency to fit todays digital device
- Water tight microphone (IP68)
- Gel ring approved with Headband and Helmet attachment Headset

Applications

The 3M™ PELTOR™ CH-3 FLX2 Headset can enhance communication in noisy environments. Suitable for work in Pulp and Paper, Construction, Airport applications and other workplaces, where the workers need to be connected to their 2-way handheld or fixed systems throughout the day to help facilitate frequent contacts with co-workers.

Standards and Approvals

Hereby, 3M Svenska AB declares that the product is in compliance with appropriate directives or regulations to fulfill the requirements for the CE marking.

The full text of the EU declaration of conformity is available at the following internet address: www.3M.com/PELTOR/DOC. A copy of the declaration of conformity and additional information required in the directives or regulations can also be obtained by contacting 3M in the country of purchase.

Models

Bright Yellow Color

Article Number	Description	3M ID
MT74H52A-110	3M™ PELTOR™ CH-3 FLX2 Headset, Headband, Yellow	7100203637
MT74H52B-110	3M™ PELTOR™ CH-3 FLX2 Headset, Neckband, Yellow	7100203636
MT74H52P3E-110	3M™ PELTOR™ CH-3 FLX2 Headset, Helmet attach., Yellow	7100203635
MT74H52A-111	3M™ PELTOR™ CH-3 FLX2 Headset with Built-In PTT, Headband, Yellow	7100203638
MT74H52B-111	3M™ PELTOR™ CH-3 FLX2 Headset with Built-In PTT, Neckband, Yellow	7100205729
MT74H52P3E-111	3M™ PELTOR™ CH-3 FLX2 Headset with Built-In PTT, Helmet attach., Yellow	7100064410

Black Color

Article Number	Description	3M ID
MT74H52A-110 SV	3M™ PELTOR™ CH-3 FLX2 Headset, Headband, Black	7100325909
MT74H52P3E-110 SV	3M™ PELTOR™ CH-3 FLX2 Headset, Helmet attach., Black	71002325911
MT74H52A-111 SV	3M™ PELTOR™ CH-3 FLX2 Headset with Built-In PTT, Headband, Black	7100326362
MT74H52P3E-111 SV	3M™ PELTOR™ CH-3 FLX2 Headset with Built-In PTT, Helmet attach., Black	7100325910

Accessories

Article Number	Description	3M ID
HY84	3M™ PELTOR™ Hygiene kit	7100212095
HY80	3M™ PELTOR™ Gel snap-in cushions	7000127268
HYM1000	3M™ PELTOR™ Mike Protector (4.5m), Black	7100064281
M171/2	3M™ PELTOR™ Wind protection for MT33/MT73 microphone	7100112112
HY100A	3M™ PELTOR™ Clean Hygiene Pad, 100 pair	7100064410
MT74V/1	3M PELTOR Boom Microphone CH-3, Versaflo M306/307 incl attachment	7100324955

FLX2 Cables

Article Number	Description	MT74H52*-110 Compatible	MT74H52*-111 Compatible	3M ID
FLX2-200	3M™ PELTOR™ FLX2 Cable J11 Standard	X		7100185799
FLX2-201	3M™ PELTOR™ FLX2 Cable for Ground Mech	X		7100207323
FLX2-210	3M™ PELTOR™ FLX2 Cable 10m Straight Open End	X		7100219827
FLX2-211	3M™ PELTOR™ FLX2 Cable Curled Open End	X		7100224037
FLX2-111	3M™ PELTOR™ FLX2 Cable for Hytera PD7*		X	7100197719
FLX2-35	3M™ PELTOR™ FLX2 Cable for Icom angled 2-pin		X	7100197556
FLX2-44	3M™ PELTOR™ FLX2 Cable for Icom F31/F41		X	7100197565
FLX2-64	3M™ PELTOR™ FLX2 Cable for Icom F34/F44		X	7100197568
FLX2-36	3M™ PELTOR™ FLX2 Cable for Kenwood 2-pin		X	7100193170
FLX2-107	3M™ PELTOR™ FLX2 Cable for Kenwood Multipin		X	7100185797
FLX2-21	3M™ PELTOR™ FLX2 Cable for Motorola GP300/DP1400		X	7100193228
FLX2-32	3M™ PELTOR™ FLX2 Cable for Motorola GP340		X	7100193227
FLX2-65	3M™ PELTOR™ FLX2 Cable for Motorola GP344		X	7100197572
FLX2-18	3M™ PELTOR™ FLX2 Cable for Motorola GP900		X	7100197566
FLX2-63	3M™ PELTOR™ FLX2 Cable for Motorola Mototrbo		X	7100185795
FLX2-69	3M™ PELTOR™ FLX2 Cable Motorola DP2400/3441		X	7100220865
FLX2-101	3M™ PELTOR™ FLX2 Cable for Sepura STP 8*/9*		X	7100197718
FLX2-28	3M™ PELTOR™ FLX2 Cable for Mobile/Dect phones (2,5mm 3-pol.)		X	7100193229

Technical Data Specifications

Model	Weight (FLX2 cable excl.)
Headband:	MT74H52A-110 = 292g (with HY80 = 351g)
	MT74H52A-111 = 300g (with HY80 = 359g)
Helmet attachment:	MT74H52P3E-110 = 243g (with HY80 = 303g)
	MT74H52P3E-111 = 251g (with HY80 = 311g)
Neckband:	MT74H52B-110 = 275g
	MT74H52B-111 = 282g

Materials

Attachment wire	Stainless steel
Two-point fastener	Acetal
Ear Cushion	PVC foil and polyether foam
Inline foam	Polyether foam
Cup	ABS plastic
Operating Temperature	-20°C to +50°C
FLX2 Connector	6-pin, mini XLR
Speakers	46 mm diameter, 230 Ohm +/-10%, SPL 107 +/- 2dB, 100-8000 Hz, IP54
Speech Microphone type	Noise cancelling microphone, Dynamic 150 Ohm, IP 68 (6m/30min) Sensitivity -71dB±3dB(0dB=1v/Pa 1KHz) @50CM Frequency response 200Hz 7KHz

Storage

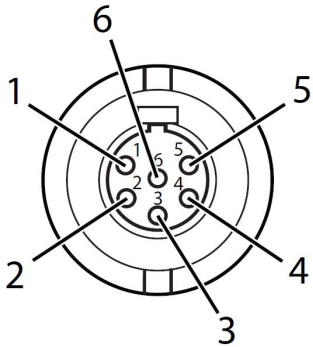
Recommended storage conditions:	-20° C - +40° C, <90% humidity
Recommended max. shelf life:	5 years

User limitation: Never modify or alter this product.

Approved Safety Helmets

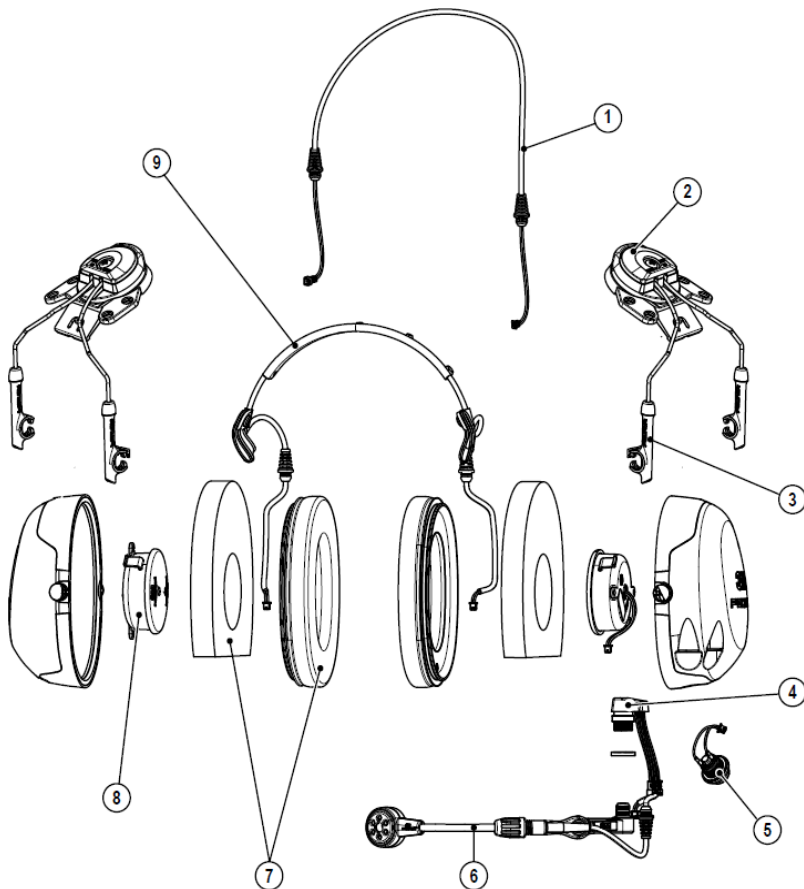
Helmet Model	Size
3M™ SecureFit™ Safety Helmet X5000	S, M, L
3M™ SecureFit™ Safety Helmet X5500	S, M, L
3M™ G3000 Basic Set	M, L
3M™ G2000	S, M, L
3M™ G3501	L
3M™ Versaflo M-307 (M-300)	M, L

Pin Configuration



Pin	-110 Headset	-111 Headset
1	Microphone	Microphone (Amplified)
2	Microphone Ground	Microphone Ground
3	Speaker Left Ground	Speaker L/R Ground (Parallel)
4	Speaker Left	Speaker L/R (Parallel)
5	Speaker Right	Push-To-Talk, PTT
6	Speaker Right Ground	Push-To-Talk, PTT

Service Parts



Pos	Article Number	3M ID	QTY	Description	-110	-111
1	L234BX-01/SP	7100221888	1	Helmet and neckband cable, 2 core	x	x
2	P3EG-F/2	7100147934	1	Helmet attachment Left/Right 2ea/pack	x	x
3	A46/4	7010044799	1	Guides with molded friction cage, 4ea/pack	x	x
4	J186A-01/SP	7100221885	1	FLX2 jack	x	
4a	J186A-K402A/SP	7100221886	1	FLX2 jack with mic amp		x
5	OMK53-03/SP	7100221300	1	PTT Button		x
6	MT74/1	7100221884	1	Microphone incl. windshield M171	x	x
7	HY84	7100212095	1	Hygiene kit CH-3 Headset	x	x
8	HTAJ/SP	7100221882	2	Speaker CH-3 Headset	x	x
9	A09-LBX-01/SP	7100221887	1	Headband cable incl. grommets	x	x

Laboratory Attenuation

MT74H52A-110 / MT74H52A-111: Headband earmuffs with foam cushions, EN352-1:2020

Frequency (Hz)	125	250	500	1000	2000	4000	8000	H	M	L	SNR
Mean Attenuation (dB)	14.2	21.7	34.0	35.4	35.4	33.3	35.3	34.7	30.8	22.1	32.0
Standard deviation (dB)	2.2	1.8	2.2	2.5	3.2	2.4	3.0	1.8	1.1	1.6	1.1
Assumed Protection Value (dB)	12.0	19.9	31.8	32.9	32.2	30.9	32.3	33	30	21	31

MT74H52A-110 / MT74H52A-111: Headband earmuffs with gel cushions, EN352-1:2020

Frequency (Hz)	125	250	500	1000	2000	4000	8000	H	M	L	SNR
Mean Attenuation (dB)	11.7	21.8	32.6	36.2	35.6	34.1	37.0	35.5	29.9	20.2	31.3
Standard deviation (dB)	2.7	3.6	4.0	2.8	3.7	2.6	4.1	2.5	2.4	2.8	2.2
Assumed Protection Value (dB)	9.0	18.2	28.6	33.4	31.9	31.5	32.9	33	28	17	29

MT74H52B-110 / MT74H52B-111: Neckband earmuffs with foam cushions, EN352-1:2020

Frequency (Hz)	125	250	500	1000	2000	4000	8000	H	M	L	SNR
Mean Attenuation (dB)	12.3	19.8	29.9	33.4	35.1	32.3	33.6	33.4	28.3	19.9	30.0
Standard deviation (dB)	4.1	3.4	3.2	4.2	4.0	2.0	3.9	2.0	2.7	3.4	2.4
Assumed Protection Value (dB)	8.2	16.4	26.7	29.2	31.1	30.3	29.7	31	26	17	28

MT74H52P3E-110 / MT74H52P3E-111: Carrier attachment earmuffs with foam cushions, EN352-3:2020

Frequency (Hz)	125	250	500	1000	2000	4000	8000	H	M	L	SNR
Mean Attenuation (dB)	18.2	22.4	30.0	34.0	34.9	32.4	34.2	33.6	30.5	24.5	31.9
Standard deviation (dB)	4.4	3.6	2.9	2.5	2.7	1.9	4.0	2.0	2.1	3.5	1.9
Assumed Protection Value (dB)	13.8	18.8	27.1	31.5	32.2	30.5	30.2	32	28	21	30

MT74H52P3E-110 / MT74H52P3E-111: Carrier attachment earmuffs with gel cushions, EN352-3:2020

Frequency (Hz)	125	250	500	1000	2000	4000	8000	H	M	L	SNR
Mean Attenuation (dB)	17.2	21.5	29.1	34.1	35.7	30.9	35.5	32.7	29.7	23.4	30.9
Standard deviation (dB)	3.5	3.2	4.1	3.1	3.4	3.1	5.8	2.2	2.2	2.9	2.0
Assumed Protection Value (dB)	13.7	18.3	25.0	31.0	32.3	27.8	29.7	31	28	21	29

 **WARNING**

3M strongly recommends individual fit testing of hearing protectors. If the NRR or SNR is used to estimate typical workplace protection, 3M recommends that the noise reduction value be reduced by 50% or in accordance with applicable regulations. 3M PSD products are occupational use only.

In the box

1 x 3M™ PELTOR™ CH-3 Headset

1 x User Instruction



3M Personal Safety Division
 3M Svenska AB, Box 2341
 SE-331 02 Värnamo
 Sweden
 Internet: www.3M.com/PELTOR
 Phone: +46 (0)370-65 65 00

Please recycle. Printed in Sweden.
 © 3M 2024. All rights reserved.
 3M and PELTOR are trademarks of 3M Company and its affiliates.

PSD products are occupational use only.

DS17039 rev.e